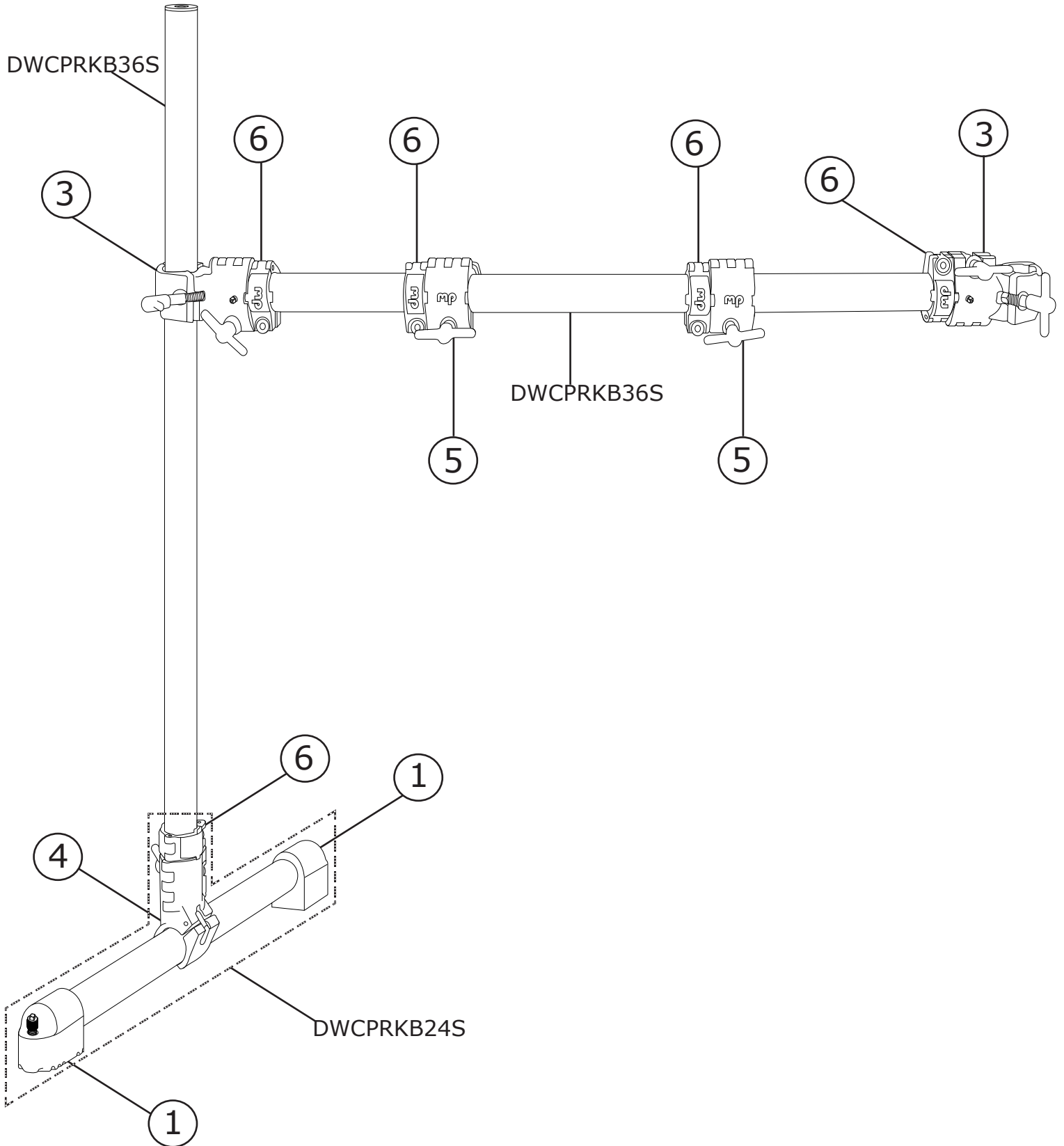


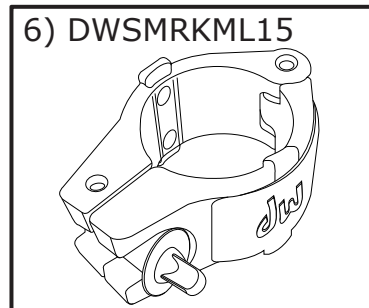
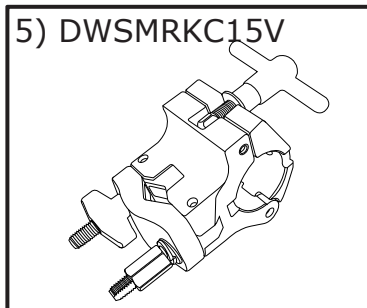
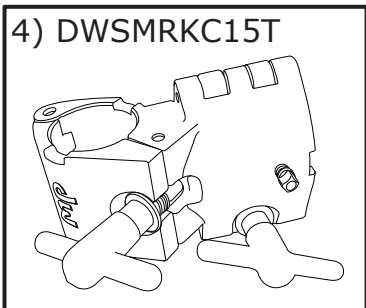
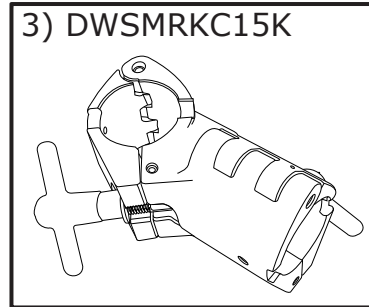
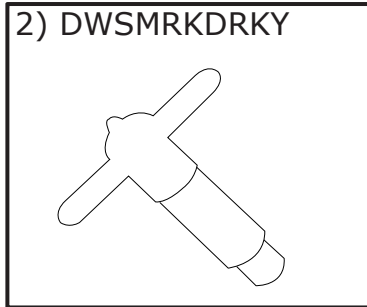
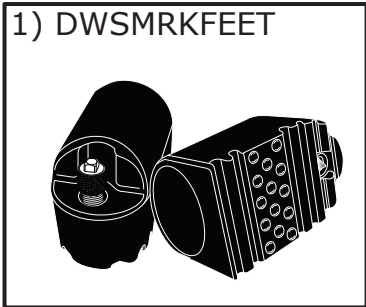
# RKSIDE DW Side Rack System



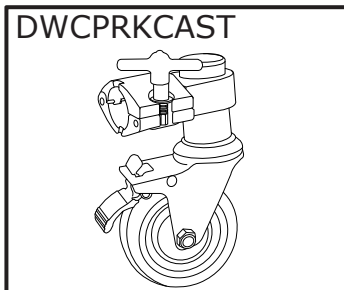
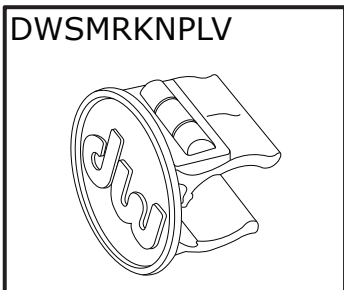
# RKSIDE DW Side Rack System

## Part Number Description

- |               |                                 |
|---------------|---------------------------------|
| 1) DWSMRKFEET | RUBBER FEET                     |
| 2) DWSMRKDRKY | HI-TORQUE DRUM KEY              |
| 3) DWSMRKC15K | DW RACK 1.5-1.5 W/DRUMKEY SCR   |
| 4) DWSMRKC15T | DW RACK 1.5 - 1.5 T-LEG CLAMP   |
| 5) DWSMRKC15V | DW RACK 1.5" V RACK CLAMP       |
| 6) DWSMRKML15 | DW RACK 1.5" HINGED MEMORY LOCK |
| DWCPRKB24S    | DW RACK 24 INCH STRAIGHT BAR    |
| DWCPRKB36S    | DW RACK 36 INCH STRAIGHT BAR    |



## OPTIONS



- DWSMRKNPLV
- DWCPRKCAST
- DWSM912
- DWSM934
- DWSMRKTTCA

- NAMEPLATE WITH LEVEL
- RACK CASTER (2 PACK)
- 1/2X18 BOOM CYMBAL ARM
- 3/4" X 18" (912) BOOM ARM
- 1.5" - .75" TUBE TOP
- CYMBAL ADAPTER

