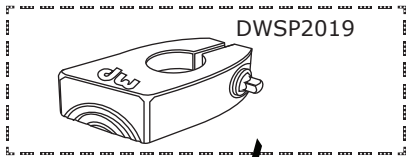
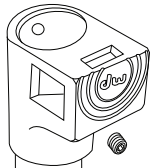
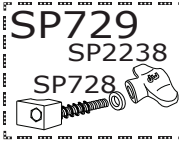


9300 DW Snare Stand

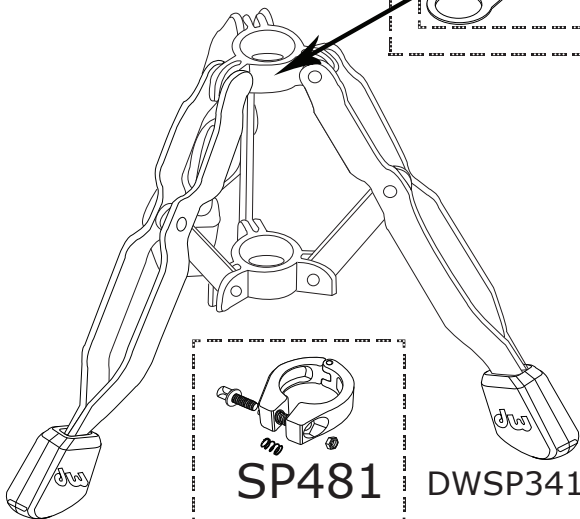
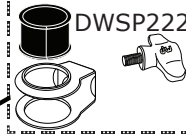


DWSP443

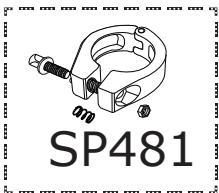
DWSP364



SP352



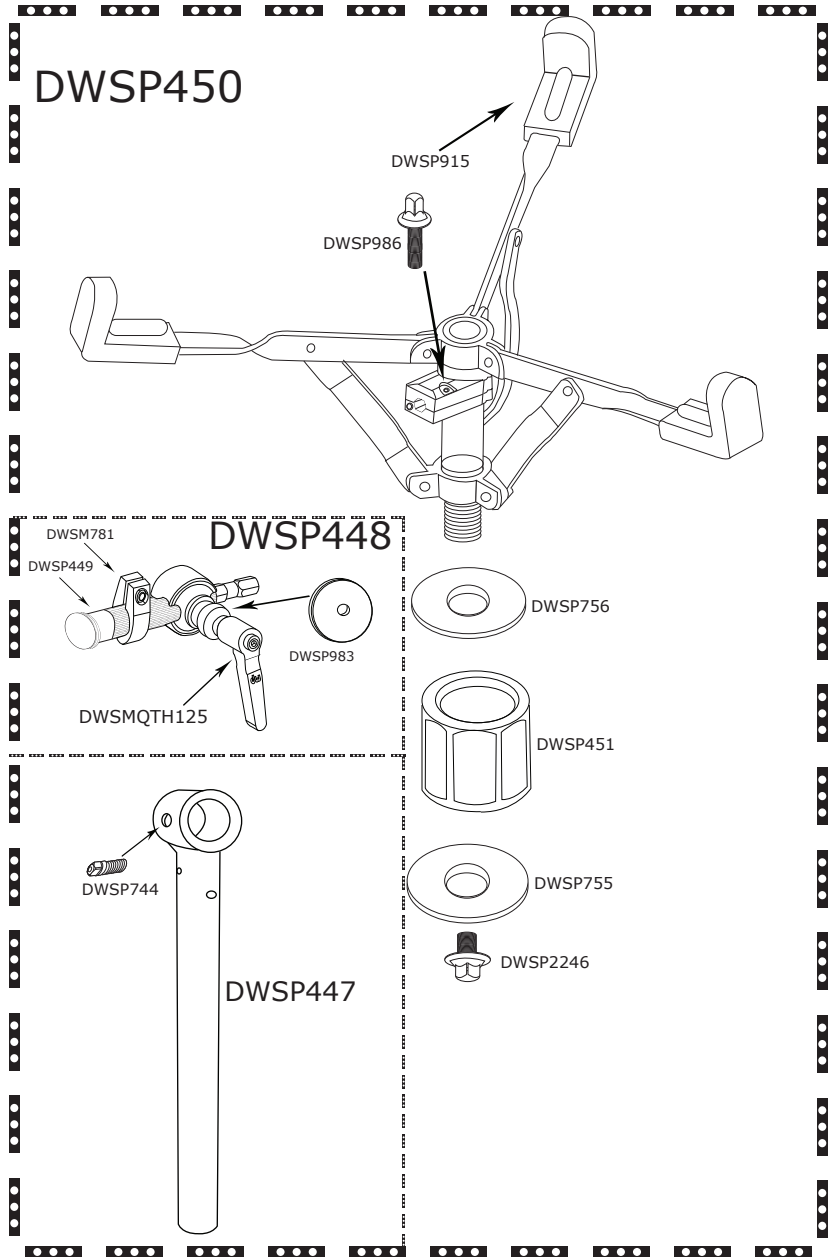
DWSP341



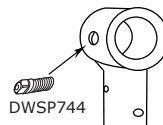
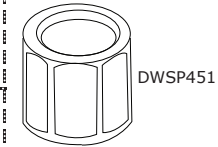
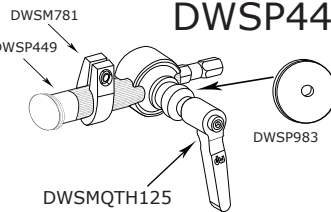
DWSP341

DWSP950

DWSP450

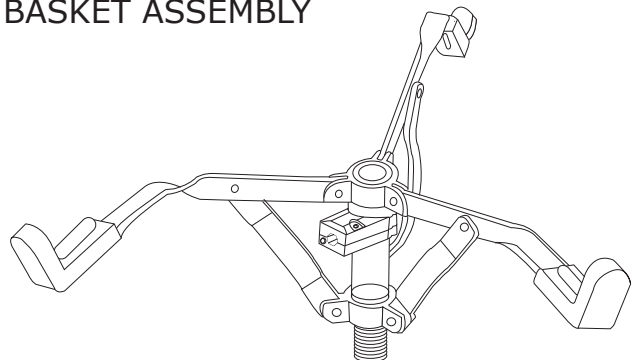


DWSP448



DWSP447

PICCOLO SNARE BASKET ASSEMBLY



DWSP450SB

9300 DW Snare Stand

Part Number	Description
DWSMQTH125	QUICK TURN HANDLE FOR SNARE STAND 1-1/4
DWSP341	RUBBER FOOT 9000 SERIES HARDWARE
DWSP352	CLAMP FOR LEG ASSEMBLY
DWSP364	PLASTIC BUSHING THAT ACCEPTS 1 inch TUBE
DWSP443	SNARE TRIPOD AND LOWER TUBE
DWSP447	1 INCH TUBE W/SOCKET FOR 9300
DWSP448	PIVOT FOR 9300 W/ARM, WASH,QTH125,ML
DWSP449	SNARE BASKET ARM
DWSP450	SNARE BASKET ASSEMBLY FOR 9300
DWSP450SB	PICCOLO SNARE BASKET ASSEMBLY
DWSP451	SNARE BASKET ADJUSTMENT NUT
DWSP481	1.25 inch HINGED TRIPOD MEMORY LOCK
DWSP728	WASHER FOR TUBE JOINT WING NUT
DWSP729	CLAMP SCREW FOR TUBE JNT BOTTOM TIER 1in
DWSP744	8MM TECHLOCK KEY SCREW 9300 (4PK)
DWSP755	WASHER FOR SNARE STAND ADJ NUT
DWSP756	WASHER FOR SNARE BASKET
DWSP915	RUBBER TIP FOR SNARE BASKET
DWSP983	1 5/8 STEEL WASHER FOR 9300
DWSP986	6MM X 20MM SNARE BASKET ADJ SCREW
DWSP2019	1 inch MEMORY LOCK, HINGED HALF-LOGO
DWSP2228	8MM DW WING SCREW 2012 VERSION
DWSP2238	8MM DW WING NUT 2012 VERSION

